

Parts Catalogue

for model
DI 474

- Use GLOBAL GARDEN PRODUCT Genuine Spare Parts specified in the parts list for repair and/or replacement.
- The contents described in the parts list may change due to improvement.
- The drawings of the spare parts are only indicative and might not represent the part in question exactly.
- The indications "right" - "left" - "front" - "rear" refer to the position of the operator when using the machine.
- When placing orders of parts for repair and/or replacement, make sure that the illustrated parts list is the one applying to the machine's year of manufacture, as shown on the identification plate attached to the machine.

© Copyright 2015 Global Garden Products

All content is subject to copyright by Global Garden Products and may not be reproduced in whole or in part by any means, electronic or otherwise, without prior written approval.

THIS INFORMATION IS NOT INTENDED FOR SALE OR RESALE, AND THIS NOTICE MUST REMAIN ON ALL COPIES.



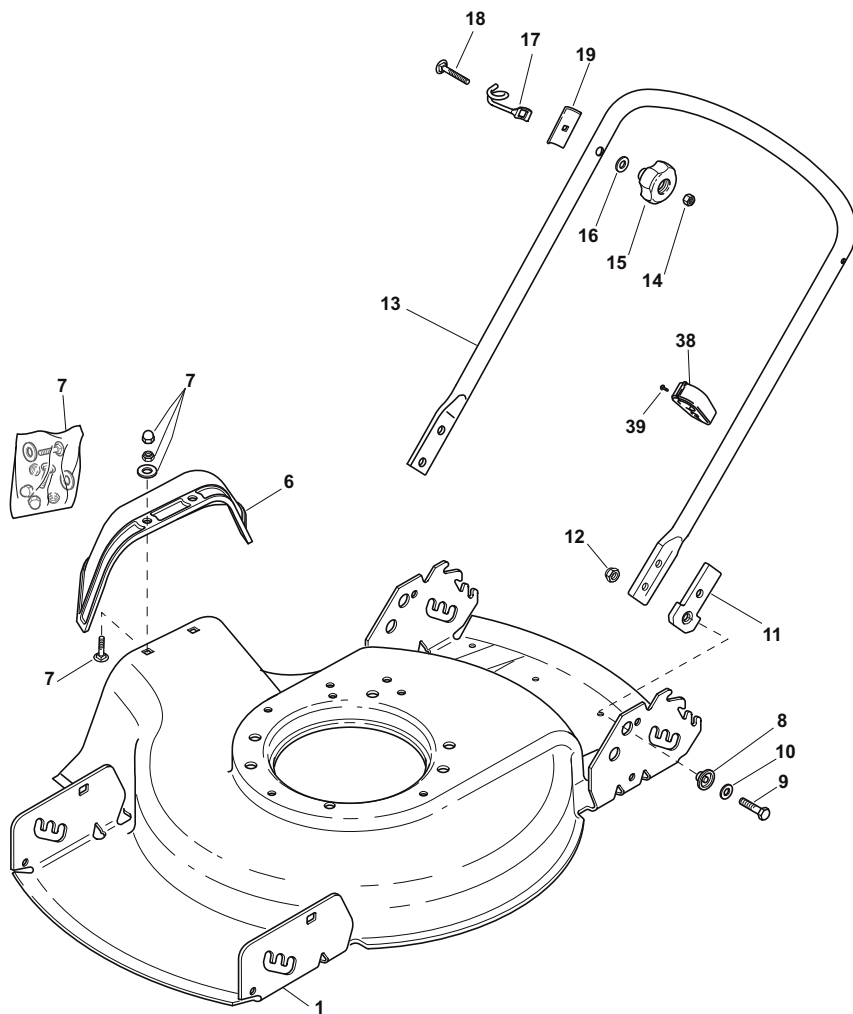


Fig.	Quantity	Part No	Description	Notes
1	1	381004733/0	Grey Deck	
6	1	322600159/0	Stone Guard, Black	
7	1	381008502/0	Outfit, Screws	
8	4	322041958/0	Bushing	
9	4	112793701/0	Screw	
10	4	122671651/0	Washer	
11	2	322551577/0	Isolation Plate	
12	4	112155000/0	Nut	
13	1	381006639/0	Handle Lower Part	Black
13	1	381007548/0	Handle, Lower Part Yellow	Yellow
14	2	112361005/0	Nut	
15	2	322399810/0	Knob	
16	2	112521350/0	Washer	
17	1	122430311/0	Starting Rope Guide Spring	
18	2	112820655/0	Screw	
19	2	322545137/0	Handle, Upper Part	
38	1	322192001/0	Clamp	
39	1	112728691/0	Screw	

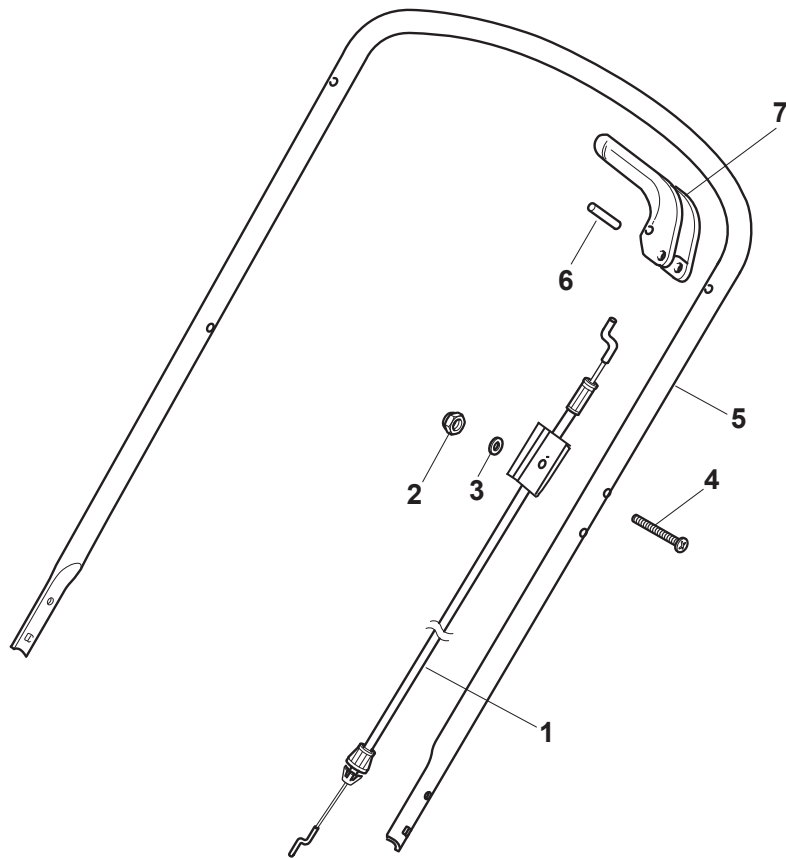


Fig.	Quantity	Part No	Description	Notes
1	1	181000705/0	Cable, Thread Engine Brake	SV40 / RV 40 / V35 Engine
1	1	181000762/0	Cable, Thread Engine Brake	GGP Engine / B&S 450-500 Series
2	1	112292100/0	Nut	
3	1	112521330/0	Washer	
4	1	112674700/0	Screw	
5	1	381006615/1	Handle, Upper Part	
6	1	112645710/0	Elastic Pin	
7	1	322321700/1	Lever, Engine Brake Red	

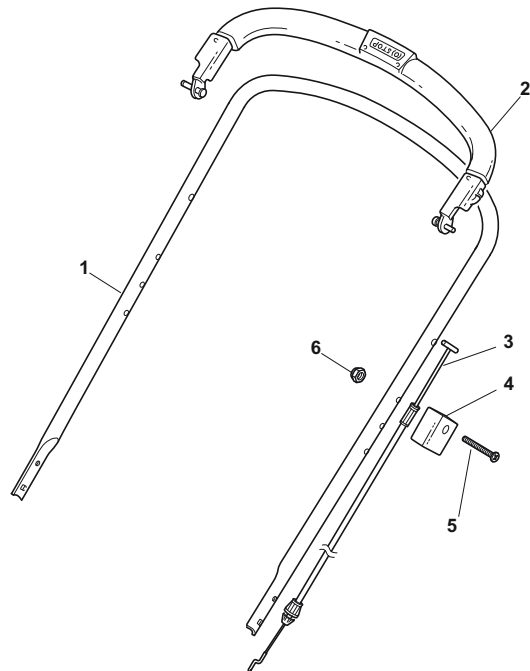


Fig.	Quantity	Part No	Description	Notes
3	1	181000685/0	Cable, Thread Engine Brake	B&S Engine
1	1	381006618/1	Handle, Upper Part	
2	1	381003298/1	Lever, Engine Brake	
3	1	181000685/0	Cable, Thread Engine Brake	GGP Engine
4	1	322551640/0	Plate	
5	1	112727783/0	Screw	
6	1	112154510/0	Nut	

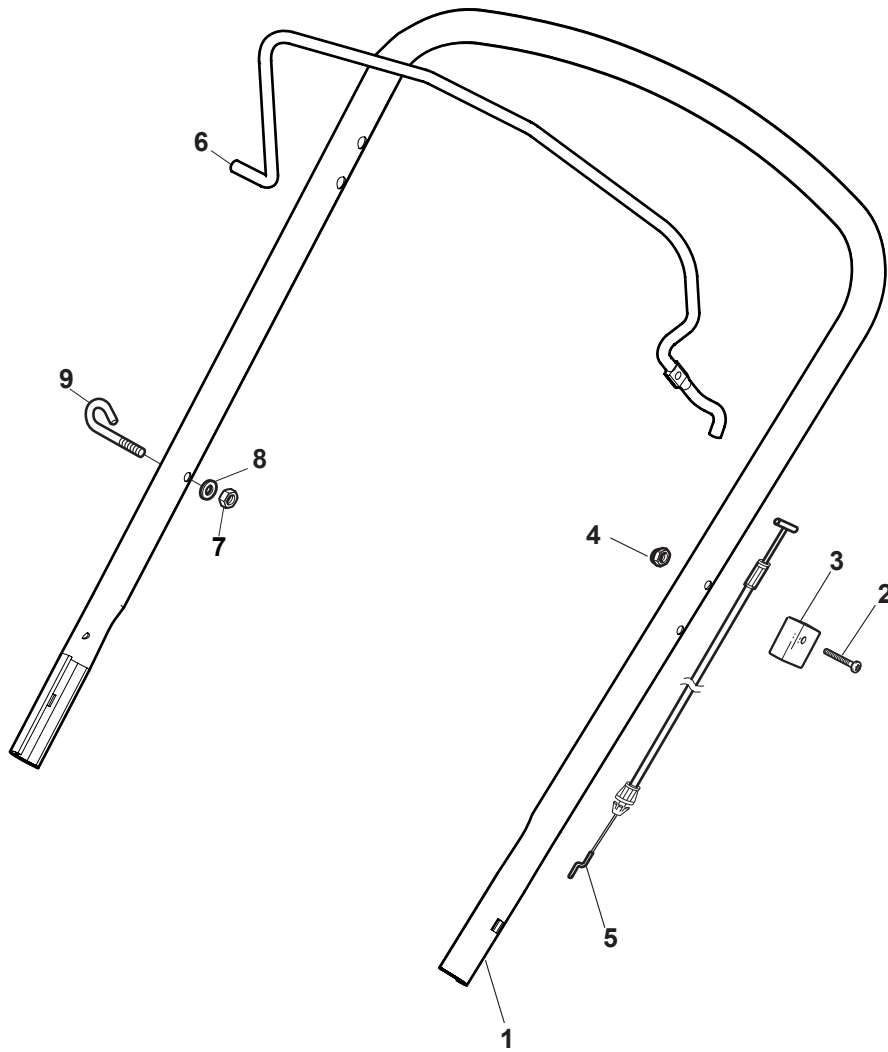


Fig.	Quantity	Part No	Description	Notes
1	1	381006740/0	Handle, Upper Part	
2	1	112727788/0	Screw	
3	1	322551640/0	Plate	
4	1	112154510/0	Nut	
5	1	181030053/0	Cable, Thread Engine Brake	SV40 / RV 40 / V35 Engine
5	1	181030084/0	Cable, Thread Engine Brake	B&S Engine
6	1	181003369/0	Lever, Engine Brake	
7	1	112154510/0	Nut	
8	1	112521330/0	Washer	
9	1	122430313/0	Guide Spring	

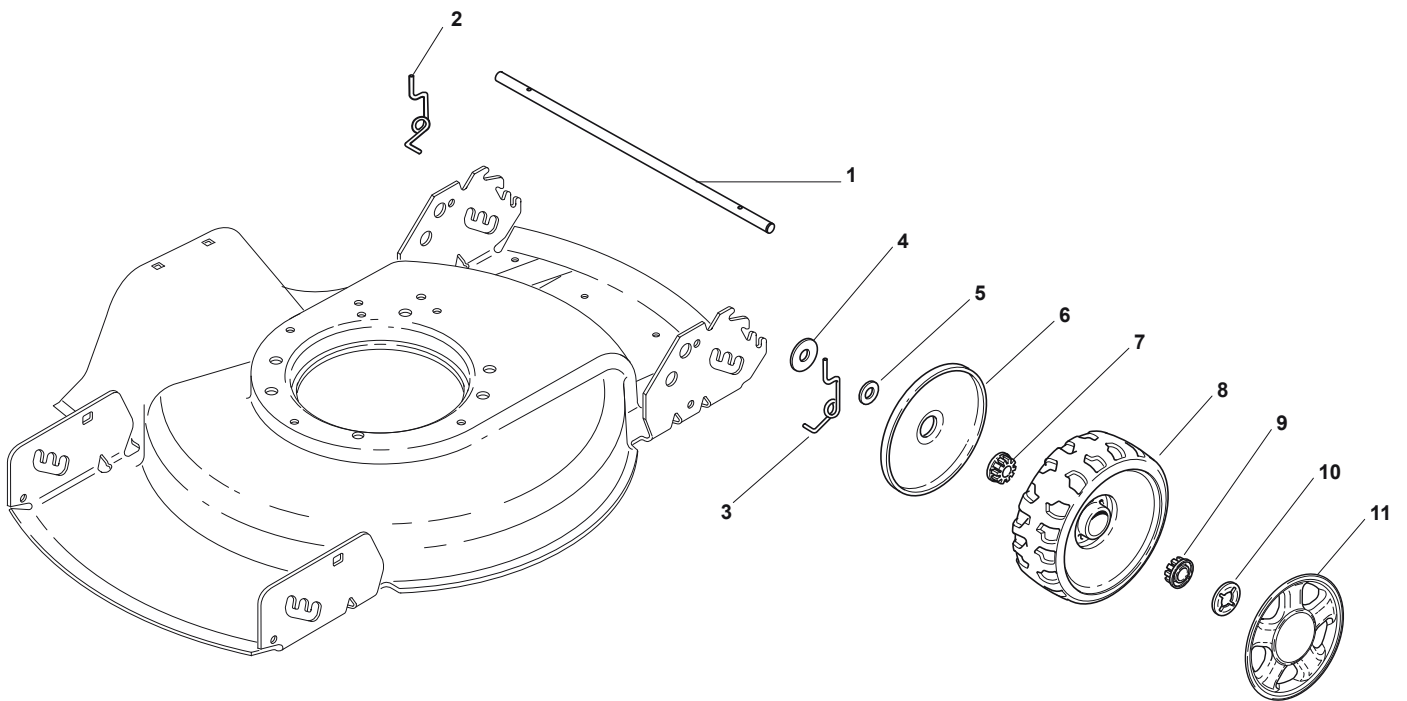


Fig.	Quantity	Part No	Description	Notes
1	2	322033395/0	Axle	
2	2	122450442/0	Spring, Right	
3	2	122450441/0	Left Spring	
4	4	122671654/0	Washer	
5	4	122671659/0	Washer	
6	4	322600095/0	Protection, Wheel	
7	4	322034515/1	Bushing	
8	4	322686091/1	Wheel	
9	4	122034508/0	Bushing	
10	4	122020050/0	Ring	
11	4	322110381/0	Hub Cap Grey	Grey

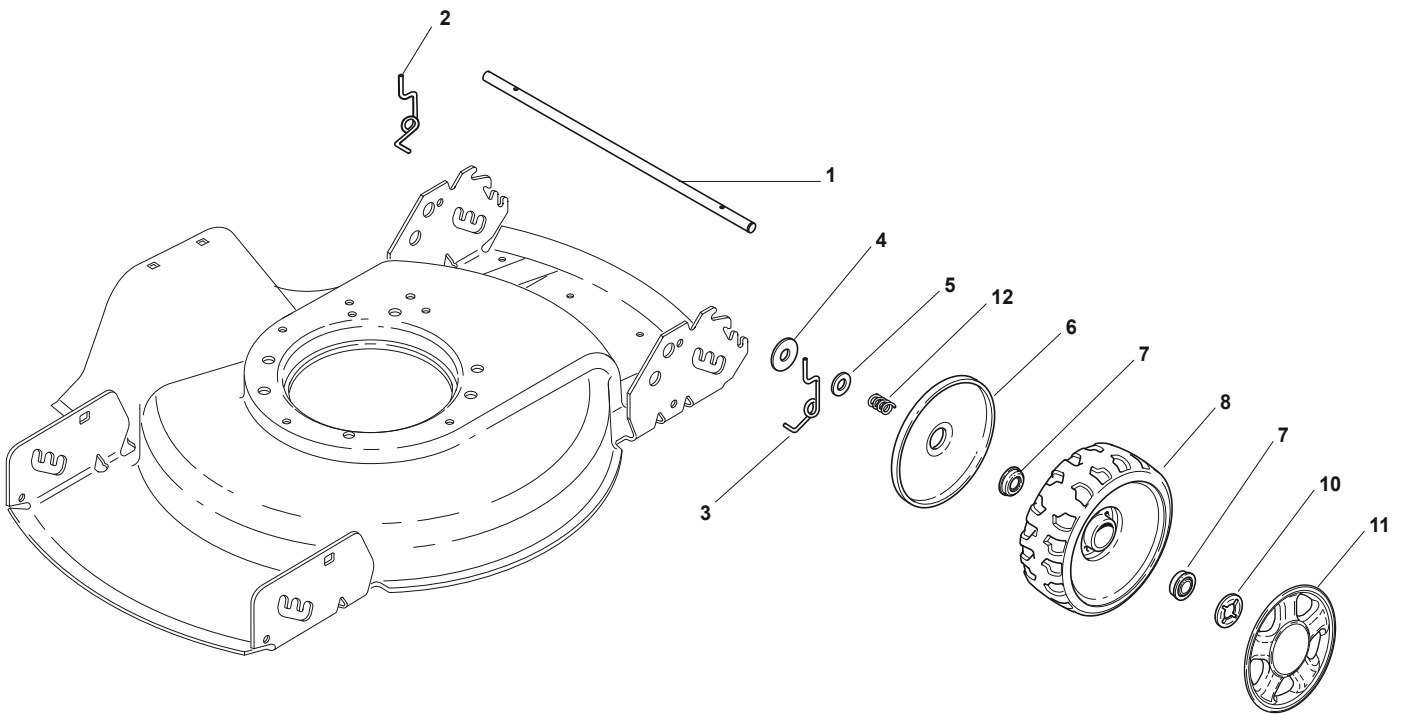
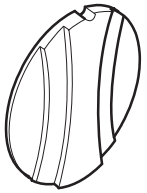
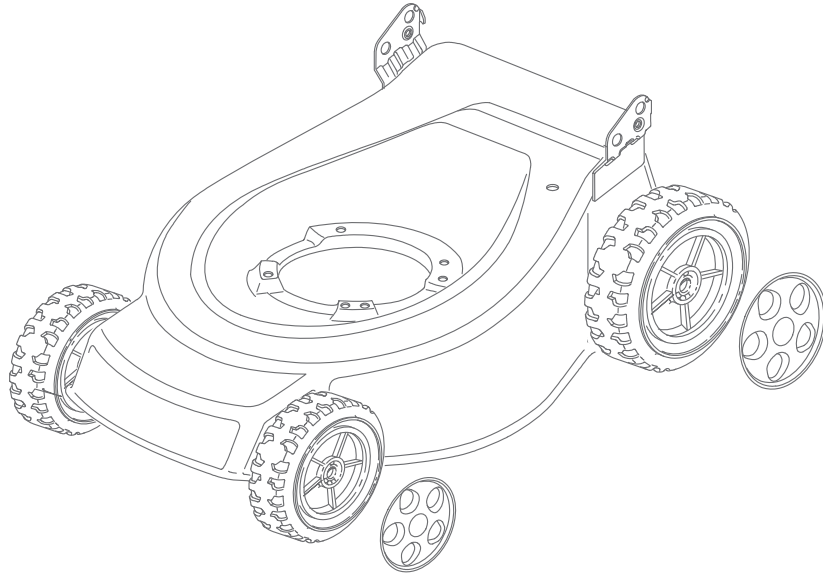


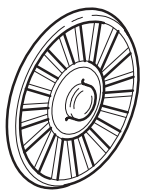
Fig.	Quantity	Part No	Description	Notes
1	2	322033395/0	Axle	
2	2	122450442/0	Spring, Right	
3	2	122450441/0	Left Spring	
4	4	122671654/0	Washer	
5	4	122671659/0	Washer	
6	4	322600095/0	Protection, Wheel	
7	8	122122200/0	Bearing	
8	4	322686091/1	Wheel	
10	4	122020050/0	Ring	
11	4	322110381/0	Hub Cap Grey	Grey
12	4	122430215/0	Spring	



1



2



3



4



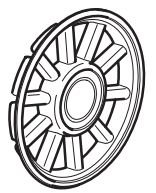
5



6



7



8

Fig.	Quantity	Part No	Description	Notes
1	2	122110252/1	Hub Cap White	White
1	2	122110254/0	Hub Cap Yellow	Yellow
1	2	122110255/1	Hub Cap Red	Red
2	2	322110344/0	Hub Cap White	Grey
2	2	322110395/0	Hub Cap Grey	Grey
3	2	322110347/0	Hub Cap Grey	Grey
4	2	322110381/0	Hub Cap Grey	Grey
5	2	322110416/0	Hub Cap Grey	Grey
6	2	322110491/0	Hub Cap Grey	Grey
7	2	322110493/0	Hub Cap Grey	Grey
8	2	322110495/0	Hub Cap Grey	Grey

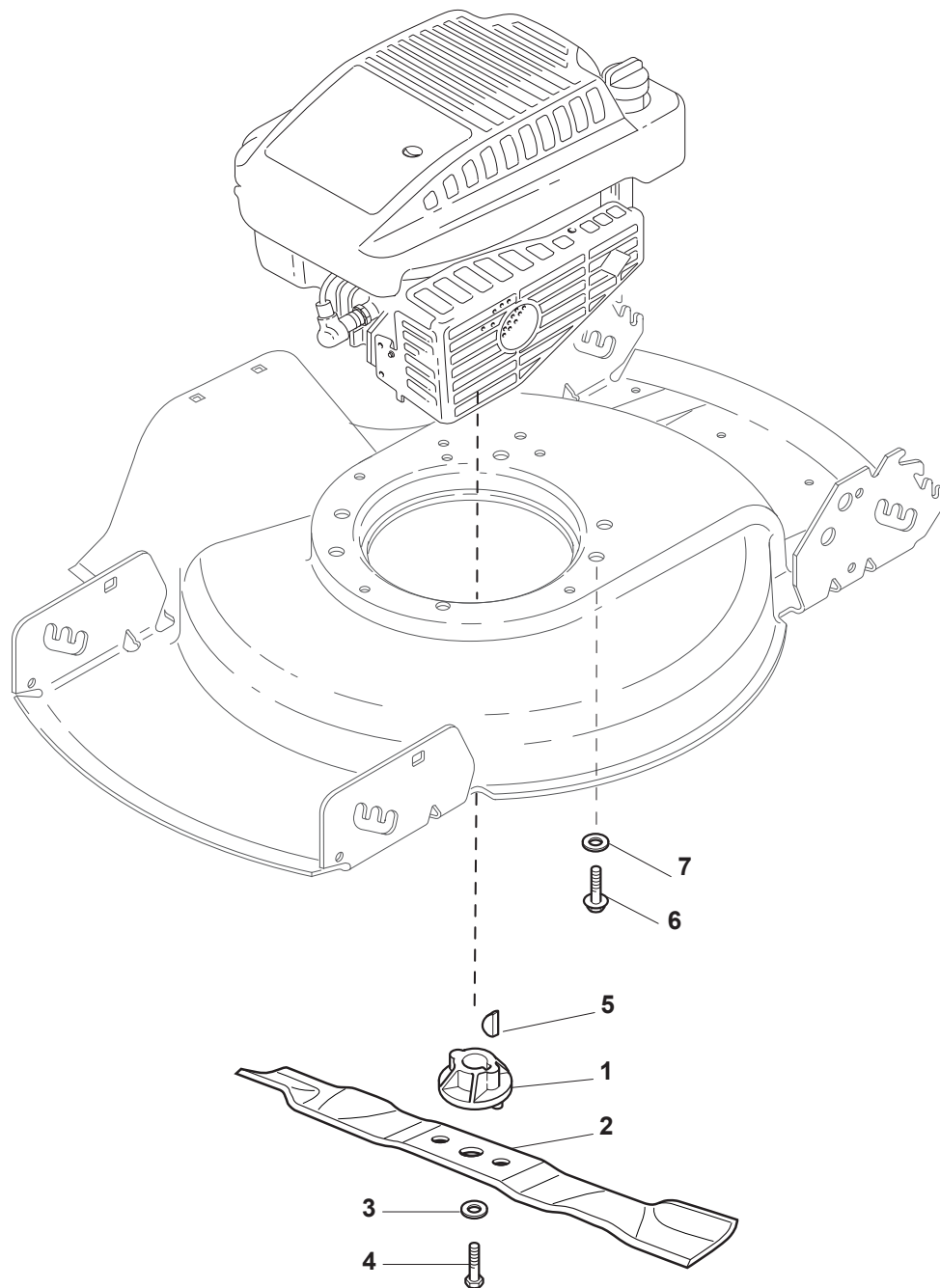


Fig.	Quantity	Part No	Description	Notes
1	1	122465617/0	Hub	
2	1	181004124/1	Blade Standard	
3	1	112530140/0	Washer	
4	1	112735694/0	Screw	
5	1	112139100/0	Feather, Crankshaft Ø 22,2	
6	3	112735108/1	Screw	
7	3	112521355/0	Washer	

112139100/0	5	1	p. 17	322545137/0	19	2	p. 3
112154510/0	4	1	p. 9	322551577/0	11	2	p. 3
112154510/0	6	1	p. 7	322551640/0	3	1	p. 9
112154510/0	7	1	p. 9	322551640/0	4	1	p. 7
112155000/0	12	4	p. 3	322600095/0	6	4	p. 11
112292100/0	2	1	p. 5	322600095/0	6	4	p. 13
112361005/0	14	2	p. 3	322600159/0	6	1	p. 3
112521330/0	3	1	p. 5	322686091/1	8	4	p. 11
112521330/0	8	1	p. 9	322686091/1	8	4	p. 13
112521350/0	16	2	p. 3	381003298/1	2	1	p. 7
112521355/0	7	3	p. 17	381004733/0	1	1	p. 3
112530140/0	3	1	p. 17	381006615/1	5	1	p. 5
112645710/0	6	1	p. 5	381006618/1	1	1	p. 7
112674700/0	4	1	p. 5	381006639/0	13	1	p. 3
112727783/0	5	1	p. 7	381006740/0	1	1	p. 9
112727788/0	2	1	p. 9	381007548/0	13	1	p. 3
112728691/0	39	1	p. 3	381008502/0	7	1	p. 3
112735108/1	6	3	p. 17				
112735694/0	4	1	p. 17				
112793701/0	9	4	p. 3				
112820655/0	18	2	p. 3				
122020050/0	10	4	p. 11				
122020050/0	10	4	p. 13				
122034508/0	9	4	p. 11				
122110252/1	1	2	p. 15				
122110254/0	1	2	p. 15				
122110255/1	1	2	p. 15				
122122200/0	7	8	p. 13				
122430215/0	12	4	p. 13				
122430311/0	17	1	p. 3				
122430313/0	9	1	p. 9				
122450441/0	3	2	p. 11				
122450441/0	3	2	p. 13				
122450442/0	2	2	p. 11				
122450442/0	2	2	p. 13				
122465617/0	1	1	p. 17				
122671651/0	10	4	p. 3				
122671654/0	4	4	p. 11				
122671654/0	4	4	p. 13				
122671659/0	5	4	p. 11				
122671659/0	5	4	p. 13				
181000685/0	3	1	p. 7				
181000685/0	3	1	p. 7				
181000705/0	1	1	p. 5				
181000762/0	1	1	p. 5				
181003369/0	6	1	p. 9				
181004124/1	2	1	p. 17				
181030053/0	5	1	p. 9				
181030084/0	5	1	p. 9				
322033395/0	1	2	p. 11				
322033395/0	1	2	p. 13				
322034515/1	7	4	p. 11				
322041958/0	8	4	p. 3				
322110344/0	2	2	p. 15				
322110347/0	3	2	p. 15				
322110381/0	4	2	p. 15				
322110381/0	11	4	p. 11				
322110381/0	11	4	p. 13				
322110395/0	2	2	p. 15				
322110416/0	5	2	p. 15				
322110491/0	6	2	p. 15				
322110493/0	7	2	p. 15				
322110495/0	8	2	p. 15				
322192001/0	38	1	p. 3				
322321700/1	7	1	p. 5				
322399810/0	15	2	p. 3				